



BOSS SPREADERS 2015

BOSSPLOW.COM

See how BOSS continues to back you up.
Get more info, watch videos, find a dealer or chat live.

Call 800-286-4155
Email sales@bossplow.com



Ask your dealer or visit bossplow.com to explore the complete line-up of BOSS Snowplows, Box Plows, ATV & UTV Snowplows and Spreader products.



Exclusive to BOSS owners, joining this community gives you a profile page, a free gift and access to special offers and information on BOSS products and services.



SnowCare for Troops is a nationwide outreach program that performs free snow removal for the families of men and women serving overseas, and disabled veterans.



BOSS PRODUCTS
2010 THE BOSS WAY
P.O. BOX 787
IRON MOUNTAIN, MI 49801-0787

BOSS SNOWPLOW PRODUCTS
ARE DESIGNED AND MANUFACTURED
IN AN APPROVED ISO 9001:2008
REGISTERED FACILITY.

Patents: www.tbopats.com
©2015 BOSS PRODUCTS. ALL RIGHTS RESERVED.
PRINTED IN U.S.A. FORM #450-2015

Morton and Safe-T-Pet are registered trademarks of Morton Salt, Inc. Slip-Not Ice Melter is a trademark of Stangel Salt Supply. The "f" logo is a registered trademark/service mark of Facebook, Inc. The Twitter bird is a registered trademark/service mark of Twitter, Inc. The YouTube and Google+ logos are registered trademarks/service marks of Google Inc. The "in" logo is a registered service mark of LinkedIn Corporation. The Instagram logo is a registered trademark/service mark of Instagram, LLC. The Blogger logo is a registered service mark of Google Inc. The Advantage International Registrar logo is a trademark of Advantage International Registrar, Inc. All other trademarks belong to BOSS Snowplow.



QUICK TO ATTACH QUICKER TO RESPOND

> TGS 300 TGS 800
TGS 600 TGS 1100

The TGS Spreader series from BOSS is the easiest way to arm yourself against all things snow and ice. BOSS tailgate-mounted spreaders attach easily and disperse salt, sand and deicing materials quickly and efficiently to make your job as smooth and steady as possible. All TGS Spreaders are built heavy duty to handle harsh conditions quickly and efficiently, because BOSS knows the faster you can restore order to your community, the better.

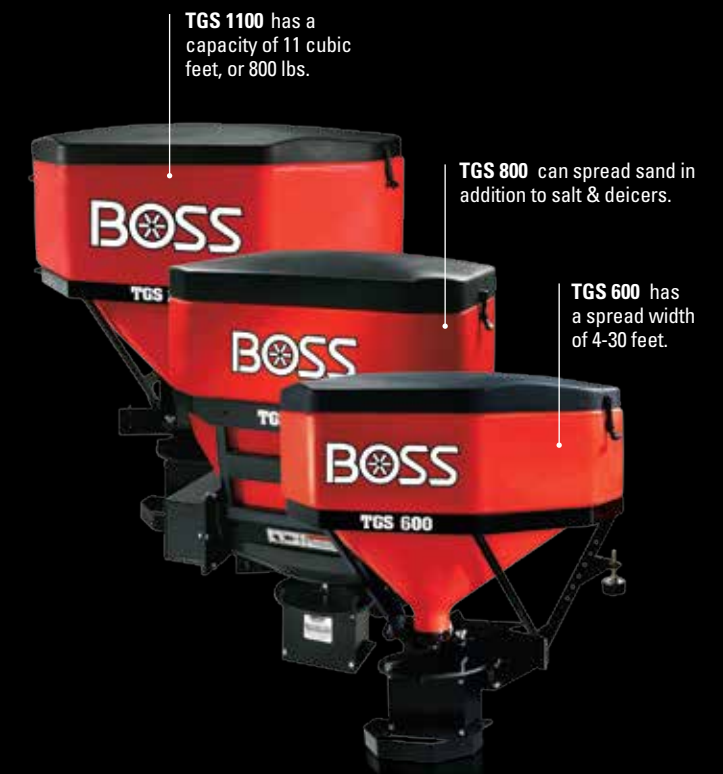
STANDARD FEATURES:

- > **Adjustable Feed Gate** allows you to adjust the material discharge amount.
- > **Poly-Adjustable Material Deflector** allows you to adjust the material discharge pattern.
- > **12" Diameter Poly Spinner** is durable, corrosion-resistant and ensures consistent distribution.
- > **Enclosed 12-Volt Electric High-Torque Motor** weather and dust sealed motor ensures performance, durability and reliability.
- > **Low-Profile Poly Hopper Design** provides better visibility.
- > **Variable Speed Control** with blast feature and overload protection.
- > **Solid Poly Hopper Cover** seals out moisture and made to last.
- > **Choose Your Attachment System** a slide-in system or the RT3 system (RT3 not available on TGS 300).
- > **Stabilizer Arms And Ratchet Tie-Down Straps** minimize any side-to-side movement (Not available on TGS 300).
- > **Top Screen With Bag Splitter** easily opens bags and filters deicing material (Not available on TGS 300).
- > **Enclosed Feed Paddle Motor** powers the Feed Paddle Mechanism with 12 volts of high-torque electric power (TGS 800 only).
- > **Swing-Away Spinner Assembly** allows for quick removal of leftover material (TGS 800 only).
- > **Two-Year Limited Warranty** protects against material defects for peace of mind.
- > **Material Saver System** eliminates material flow when spreader is not in use (Optional on the TGS 600 and 1100; not available on TGS 800).
- > **For Optional Features, Ask Your BOSS Dealer.**

See Spreader Applications Guide on Page 6 for more details on material spreading options.



TGS 300 fits on SUVs, light trucks and larger trucks.



TGS 1100 has a capacity of 11 cubic feet, or 800 lbs.

TGS 800 can spread sand in addition to salt & deicers.

TGS 600 has a spread width of 4-30 feet.

RT3 Attachment System is optional — see dealer for details.



TALK NOW WITH THE BOSS

Questions? Chat live online. Go to bossplow.com and start the conversation.



RESTORE ORDER AT THE SPEED OF THE STORM

BOSS designs their spreaders for one purpose — making the lives of snow- and ice-removal professionals easier and more efficient. So while the front of your truck is fighting to clear the street of all things snow and ice, the back of your truck is putting the finishing touches on the parking lots, driveways and roads of the towns you call home, quickly and efficiently. Because when you're out in the middle of it, BOSS will always be there to back you up.

SPREAD AT THE SPEED OF THE STORM

- > **VBX 3000 UTV SPREADER**
- VBX 8000 TRUCK SPREADER**
- VBX 9000 TRUCK SPREADER**

BOSS VBX Spreaders are some of the powerful tools in your snow- and ice-removal arsenal. Our fast-growing family of VBX spreaders are fully featured for ease of use and maximum productivity for years of operation in harsh winter conditions. The VBX family features models with both pintle and auger feeds, powerful electric motors, standard worklights, easy-to-use controls and the flexibility to spread a variety of deicing materials. All of this backed by the quality, durability and service BOSS has built its reputation on.

STANDARD FEATURES:

- > **14" Pintle Chain System** a heavy-duty chain for long life and reliability (VBX 8000/9000 only).
- > **Chain Cleaning Brush** (On pintle chain package only) removes excess material from chain on every pass — extending chain life span.
- > **Auger System 6"** mild steel helical auger with 9" of pitch and 2-3/8" diameter shaft for durability and reliability (VBX 8000/9000 only).
- > **Shaftless 4" Auger With 4" of Pitch** prevents jamming and requires less power to move material vs. traditional augers (VBX 3000 only).
- > **Corrosion-Resistant Poly Hopper** for years of operation in harsh conditions.
- > **14.5" Urethane Spinner** sealed motor for durability and maximum spreading efficiency (VBX 8000/9000 only).
- > **12" Diameter Urethane Spinner** with sealed motor for durability and maximum spreading efficiency (VBX 3000 only).
- > **Auto Reverse** standard on the auger feed system to minimize material obstructions.
- > **Full-Length Slide-Out Tray** (On pintle chain package only) captures falling deicing material, sweeping it away from truck bed, preventing corrosion.
- > **Dual-Variable Speed Controller** with auto-reverse and over-load protection (VBX 3000 only).
- > **LCD Screen Controller** backlit for clear visibility and ease of use. Featuring a Dual Motor Control to adjust material flow and speed on the fly (VBX 8000/9000 only).
- > **Two-Year Limited Warranty** protects against material defects for peace of mind.

See Spreader Applications Guide on Page 6 for more details on material spreading options.



LEARN MORE ABOUT BOSS PRODUCTS
BOSSPLOW.COM



VBX 3000



Heavy-Duty Durable Top Screen

Auxiliary Lighting With Remote Switch

1/2 Horsepower High-Torque Motor With Stainless Steel Drive Train and Heavy-Duty Planetary Worm Gears

Sealed Motor Compartment

VBX 8000/9000 FOR YOUR 3/4-TON AND LARGER TRUCKS



VBX SPREADERS

VEHICLE APPLICATION: ¾ AND 1-TON TRUCKS

| SPECIFICATIONS | VBX 3000 | VBX 8000 AUGER / PINTLE CHAIN | VBX 9000 AUGER / PINTLE CHAIN |
|-------------------------------|--|---|---|
| Hopper Capacity | 12 cu ft (0.34 cu m) | 2 yards | 3 yards |
| Hopper Length | 33.5" (85 cm) | 96" (244 cm) | 107" (272 cm) |
| Hopper Overall Length | 52" (132 cm) | 115" (292 cm) | 126" (330 cm) |
| Hopper Height | 28" (71 cm) | 38" (97 cm) | 49" (124.5 cm) |
| Hopper Width | 50" (127 cm) | 48½" (123 cm) | 48" (122 cm) |
| Full Unit Weight | 230 lb (104 kg) | 600 lb (272 kg) / 650 lb (295 kg) | 700 lb (322 kg) / 760 lb (345 kg) |
| Hopper Construction | ¾" (0.5 cm) Double Wall Polyethylene Hopper | ¾" (0.5 cm) Double Wall Polyethylene Hopper | ¾" (0.5 cm) Double Wall Polyethylene Hopper |
| Spreader Width | 2 ft - 40 ft (0.6 m - 12 m) Dry, free-flowing material | 2 ft - 40 ft (0.6 m - 12 m) Dry, free-flowing material | 2 ft - 40 ft (0.6 m - 12 m) Dry, free-flowing material |
| Max Feed Rate | N/A | 2.3 cu ft (0.06 cu m) per minute / 4 cu ft (0.11 cu m) per minute | 2.3 cu ft (0.06 cu m) per minute / 4 cu ft (0.11 cu m) per minute |
| Lighting | Single 55 watt halogen (Standard) | Dual 55 watt halogen variable output worklights (Standard) | Dual 55 watt halogen variable output worklights (Standard) |
| Cover | VCP Tarp w/integral tie-downs (Standard) | VCP Tarp w/integral tie-downs | VCP Tarp w/integral tie-downs |
| Top Screen | Standard | Standard | Standard |
| Gearbox | N/A | Planetary Gearbox | Planetary Gearbox |
| Motor | ¼ HP Feed Motor | ½ HP SS Feed Motor | ¾ HP SS Feed Motor |
| Trough | 304 Stainless Steel | 304 Stainless Steel | 304 Stainless Steel |
| Cab Controller | N/A | LCD Display Controller | LCD Display Controller |
| Dual Variable Speed Control | Standard | Standard | Standard |
| Dual Variable Speed Vibrators | Standard (Single Vibrator) | Standard / Optional | Standard / Optional |
| Inverted V Baffle | Standard | Standard / Optional | Standard / Optional |
| Feed System | 4" OD x 4" (10 cm x 10 cm) pitch shaftless full length Auger | 6" OD x 9" (15 cm x 23 cm) pitch full length Auger / 14" (36 cm) wide Pintle Chain | 6" OD x 9" (15 cm x 23 cm) pitch full length Auger / 14" (36 cm) wide Pintle Chain |
| LED CHMSL | N/A | Standard | Standard |
| Adjustable Deflector | Standard | Standard | Standard |
| Spinner Assembly | Easily removable | Easily removable and height adjustable | Easily removable and height adjustable |
| Hopper Tie-Down Kit | Standard | Standard | Standard |
| Spinner | 12" (30.5 cm) Diameter Urethane Spinner | 14.5" (36.8 cm) Diameter Urethane Spinner | 14.5" (36.8 cm) Diameter Urethane Spinner |
| Spinner Gearmotor | ¼ HP Spinner Gearmotor (Located above spinner) | ¼ HP Spinner Gearmotor (Located above spinner) | ¼ HP Spinner Gearmotor (Located above spinner) |

See Spreader Applications Guide on Page 6 for more details on material spreading options.

TAILGATE SPREADERS

VEHICLE APPLICATION: 4X4s, SUVs and ½ TO 1-TON TRUCKS

| SPECIFICATIONS | TGS 300* | TGS 600* | TGS 800** | TGS 1100* |
|----------------------------|--|---|--|---|
| Hopper Design | Low-profile | Low-profile | Low-profile | Low-profile |
| Hopper Construction | Polyethylene | Polyethylene | Polyethylene | Polyethylene |
| Hopper Capacity | 3 cu ft / 200 lb (0.08 cu m / 91 kg) | 6 cu ft / 400 lb (0.2 cu m / 181 kg) | 8 cu ft / 780 lb (0.2 cu m / 354 kg) | 11 cu ft / 800 lb (0.3 cu m / 363 kg) |
| Hopper Dimensions | 21½"H x 29"W x 15"D (53 cm x 74 cm x 38 cm) | 25¾"H x 38"W x 21"D (65 cm x 97 cm x 53 cm) | 48"H x 36"W x 21"D (122 cm x 91 cm x 53 cm) | 34"H x 44"W x 24"D (86 cm x 112 cm x 61 cm) |
| Spreader Weight | 70 lb (31 kg) plus mount | 101 lb (46 kg) plus mount | 220 lb (160 kg) plus mount | 152 lb (69 kg) plus mount |
| Hopper Cover | Solid poly | Solid poly | Solid poly | Solid poly |
| Feed Mechanism* | Internal auger w/material saving brush and adjustable drop-feed gate | Internal auger with cable-link agitator and adjustable feed gate | Feed paddle | Internal auger with cable-link agitator and adjustable feed gate |
| Vibrator Kit | Not recommended | Optional | Optional | Optional |
| Top Screen with Bag Opener | Not available | Standard | Standard | Standard |
| Motor | High-torque / 12-volt DC | High-torque / 12-volt DC | High-torque / 12-volt DC | High-torque / 12-volt DC |
| Spinner | 12" (31 cm) Poly | 12" (31 cm) Poly | 12" (31 cm) Poly | 12" (31 cm) Poly |
| Spread Width | 4 - 30 feet (1 - 9 meters) | 4 - 30 feet (1 - 9 meters) | 4 - 20 feet (1 - 6 meters) | 4 - 30 feet (1 - 9 meters) |
| Material Deflector | Adjustable poly deflector | Adjustable poly deflector | Adjustable poly deflector | Adjustable poly deflector |
| Receiver Hitch | 1½ Class 22", Class 2 and up | Class 3 or 4 | Class 4 | Class 4 |
| Control | Variable speed control with blast feature and overload protection | Variable speed control with blast feature and overload protection | Independent controls for material feed and spinner speed | Variable speed control with blast feature and overload protection |
| Vehicle Applications | SUV, light truck and up | ¾ and 1-ton trucks | ¾ and 1-ton trucks | ¾ and 1-ton trucks |

*Designed to spread dry, free-flowing material (i.e., salt, deicers, etc.). **Designed to spread sand, salt or a combination of both. See Spreader Applications Guide on Page 6 for more details on material spreading options.

BOSS SNOWPLOW SPREADER APPLICATIONS GUIDE



The selection of proper deicing materials can be complicated and vary by personal preference, experience and environmental concerns. All factors should be considered before making your selection.

BOSS Spreaders are designed to spread dry, free-flowing material. The material selection chart should serve as a guide to select the proper equipment based on material preferences; however, please verify compatibility with your BOSS Dealer prior to purchasing.